



Pneumatic Level Transmitter

Pneumatic Level transmitter

The level transmitter is a pneumatic transmitter, and is designed to control the valves for both liquid supply and discharge to and from open vessels. The output air signal directly governs the valve actuator, thus eliminating the need for additional controllers.

The cover and all product wetted parts are made of stainless steel (AISI 316L). The product wetted diaphragm is made of Viton®. It is possible to change elevation range on site.

Options

- Reverse action type, increasing signal output at falling level (standard version)
- Direct action type, decreasing signal output at falling level



TECHNICAL DATA

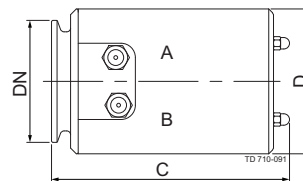
P-Band: 0-200 mm W.G.
 Accuracy: ± 10%
 Elevation: Min. 200 mm,
 max. 3200 mm
 Air supply: 1.4 bar
 Air signal, reverse acting type: 1-0.2 bar
 Air signal, direct acting type: 0.2-1 bar

PHYSICAL DATA

Weight: 1.8 kg

Process connections

Product (DN): Clamp, 51 mm (2" ISO 2852)
 Air supply (IN): 6 mm air hose or 1/8" BSP female
 Air signal (OUT): 6 mm air hose or 1/8" BSP female



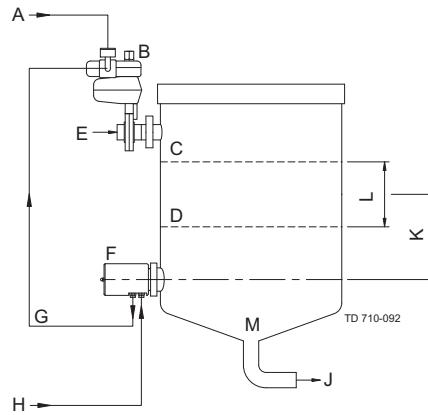
A = out B = in

C	D
125	ø76

Reverse action type

Increasing output signal at falling level

Code No. 106179

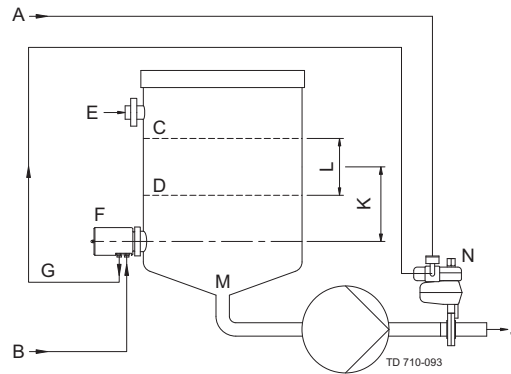


A	B	C	D	E	F	G	H	J	K	L	M
Air supply	Control valve	Closed valve	Open valve	Inlet	Level transmitter	Air signal	Air supply	Outlet	Elevation	P-Band	Tank
5.6 bar	-	0.2 bar	1.0 bar	-	-	1.0-0-2 bar	1.4 bar	-	200-3200	200	-

Direct action type

Decreasing output signal at falling level

Code No. 513934



A	B	C	D	E	F	G	J	K	L	M	N
Air supply	Air supply	Open valve	Closed valve	Inlet	Level transmitter	Air signal	Outlet	Elevation	P-Band	Tank	Control valve
5.6 bar	1.4 bar	1.0 bar	0.2 bar	-	-	0.2-1.0 bar	-	200-3200	200	-	-

Die hier enthaltenen Informationen sind korrekt zum Zeitpunkt der Veröffentlichung; geringfügige Änderungen jedoch vorbehalten. ALFA LAVAL ist eine eingetragene Marke von Alfa Laval Corporate AB.

ESE00623DE 1302

© Alfa Laval

Wie nehme ich Kontakt zu Alfa Laval auf?

Kontaktpersonen und -adressen weltweit werden auf unserer Website gepflegt. Bei Interesse besuchen Sie uns gerne auf unserer Homepage www.alfalaval.com.