

Alfa Laval Access Tank Cover – Oval Cover Type LKD 542 x 446

Tank covers

Introduction

The Alfa Laval Access Tank Cover – Oval Cover Type LKD 542 x 446 is a stainless steel tank cover that provides a secure fit for openings of tanks or containers as well as quick, easy and convenient entry and egress to tank interiors. It is engineered for use on the side of tanks or vessels.

Application

The Access Tank Cover – Oval Cover Type LKD 542 x 446 is mainly designed for use in the beverage, and brewery industries. It is especially suitable for use on tanks or containers that require a closeable means of access to the interior of the vessel. It features an angled, shaped frame to ensure a shadowless installation.

Benefits

- The angled frame design makes the cover more cleanable
- Can withstand up to 2.8 bar static pressure

Standard design

The construction of the Access Tank Cover – Oval Cover Type LKD 542 x 446 varies, depending on the model. To enable visual inspection and/or physical entry into the tank, the tank cover swings inwards and outwards. The tank cover can be positioned above or below the liquid level to meet different application requirements.

Working principle

Open the cover by loosening the handle. For inspection purposes, the cover can then be turned into the tank. If physical entry into the tank is required, the cover can either be removed at the double hinge or swung out of the tank, depending on the model. Hygienically positioned, the seal is not affected by positive or negative pressure in the tank.

Certificates

3.1 (cover and frame are supplied with material certificate 3.1 according to EN10204).



TECHNICAL DATA

Pressure

Max. static pressure:	2.8 bar (280 kPa)
Max. positive working pressure:	0 bar (0 kPa)
Max. negative working pressure:	0 bar (0 kPa)
Test pressure:	4.2 bar (420 kPa)

PHYSICAL DATA

Materials

Steel parts:	1.4301 (304) or 1.4404 (316L)
Plastic parts:	Nylon
Seals (FDA): (Lip seal design):	EPDM, NBR, FPM or Q (silicone)

Standard surface finish

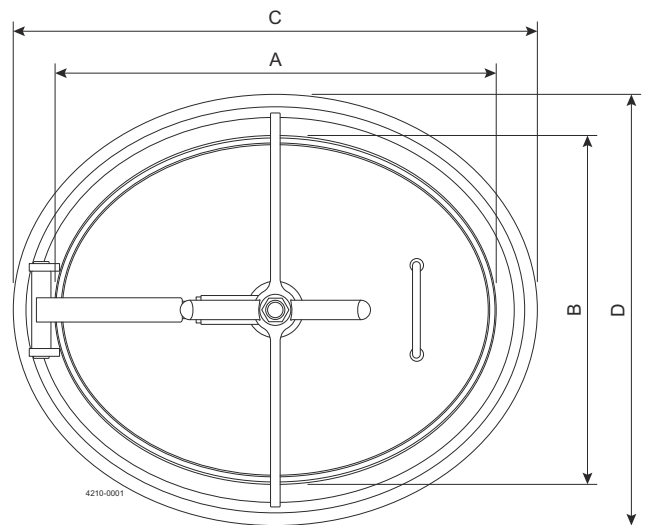
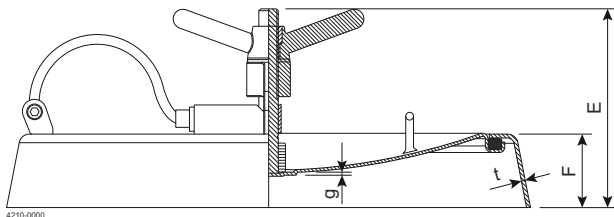
Standard surface finish	Acid Pickled
Product wetted surfaces:	Ra 0.8 µm
Other frame and lid surfaces:	Ra 0.8 µm
Other support and spindle surfaces:	Ra 3.0 µm

Temperature

EPDM:	-15 °C / 90 °C
NBR:	-30 °C / 110 °C
SILICONE (Q):	-50 °C / 200 °C
FPM:	-10 °C / 250 °C

Weight:	12 kg
---------	-------

Dimensions (mm)



Type	LKD 542 x 446
A:	461
B:	362
C:	542
D:	446
E:	202
F:	76
t:	4
g:	3

This document and its contents are subject to copyrights and other intellectual property rights owned by Alfa Laval Corporate AB. No part of this document may be copied, re-produced or transmitted in any form or by any means, or for any purpose, without Alfa Laval Corporate AB's prior express written permission. Information and services provided in this document are made as a benefit and service to the user, and no representations or warranties are made about the accuracy or suitability of this information and these services for any purpose. All rights are reserved.

200006209-1-EN-GB

© Alfa Laval Corporate AB

How to contact Alfa Laval

Up-to-date Alfa Laval contact details for all countries are always available on our website at www.alfalaval.com